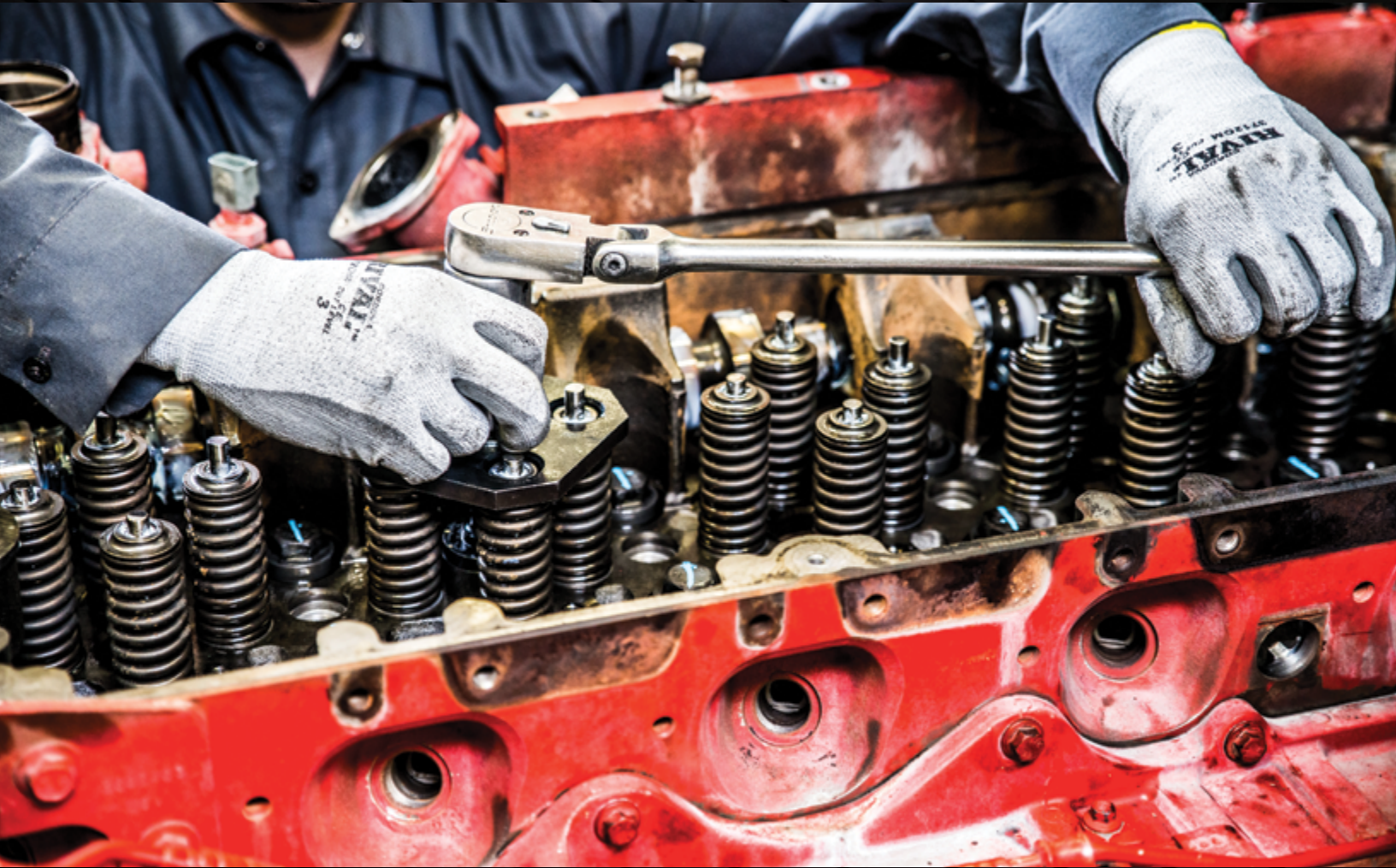




The Risks of Low-Cost Filters and Coolants  
Small price savings can lead to huge repair costs.

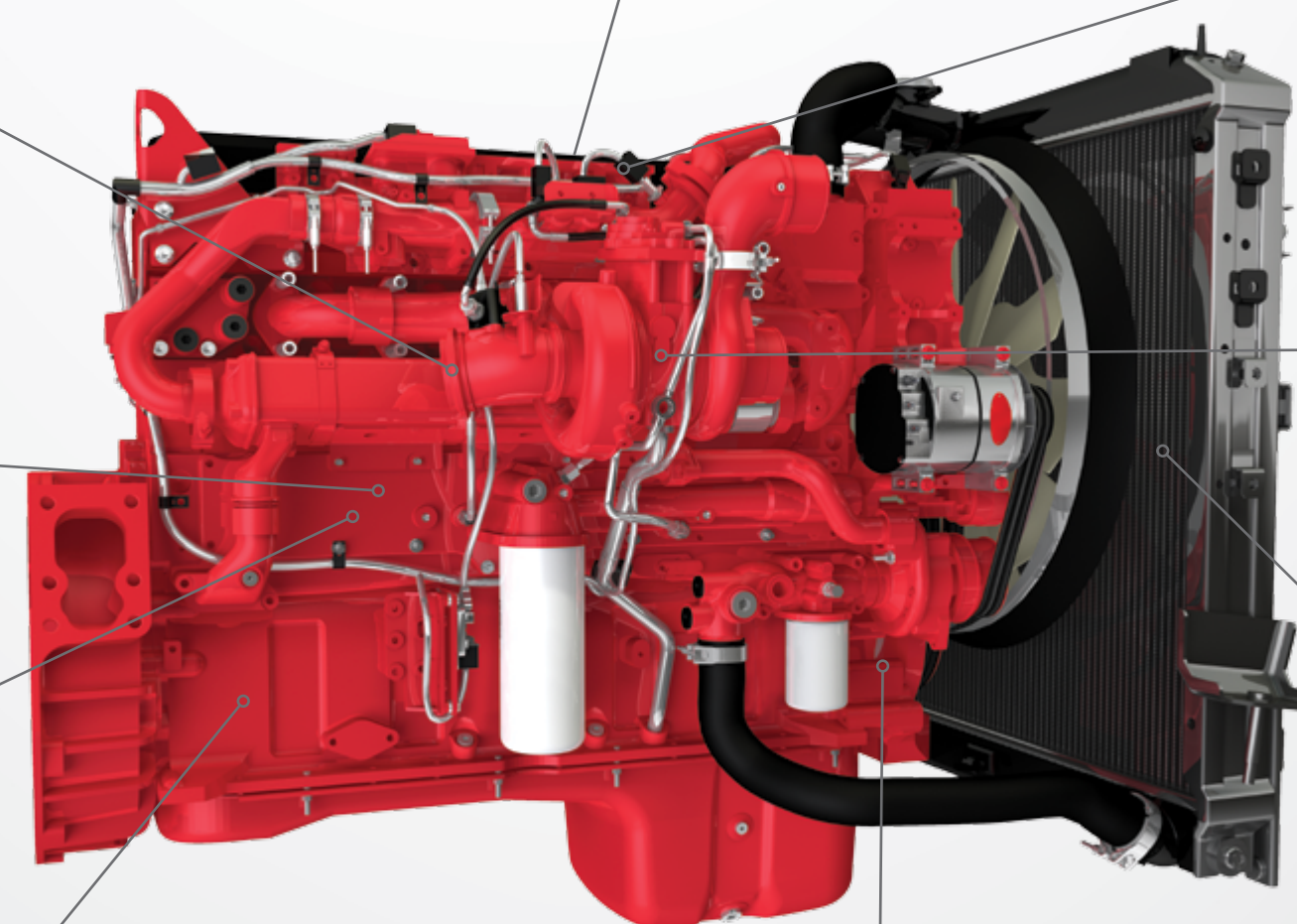


## The Fleetguard Advantage: *Lower Total Cost of Ownership*

- As the only filter manufacturer that is also part of an engine manufacturer, Cummins filtration has the benefit of developing our filters and engines in tandem.
- We prove our technology through extensive laboratory and real-world engine tests.
- All this helps lower your total cost of ownership by minimizing repairs and maximizing the life of your engine parts.

# The High Price of Low-Cost Filters and Coolant

Using lower quality filtration and coolant products can take a heavy toll on not only your engine, but also your bottom line. Sure, you might save some money up front, but you're also more likely to pay for expensive repairs down the road. And depending on your business, lost downtime can easily cost more than parts and labor combined.



**Aftertreatment System**

LABOR Up to **\$1,000**

PARTS Up to **\$13,000**

**Bearings**

LABOR Up to **\$1,438**

PARTS Up to **\$600**

**Cylinder Liners**

LABOR Up to **\$6,963**

PARTS Up to **\$5,000**

**Engine Block**

LABOR Up to **\$10,000**

PARTS Up to **\$11,000**

**Fuel Injectors**

LABOR Up to **\$750**

PARTS Up to **\$3,000**

**Fuel Pump**

LABOR Up to **\$1,250**

PARTS Up to **\$2,000**

**Turbocharger**

LABOR Up to **\$750**

PARTS Up to **\$2,500**

**Radiator**

LABOR Up to **\$1,000**

PARTS Up to **\$1,500**

**Oil Pump**

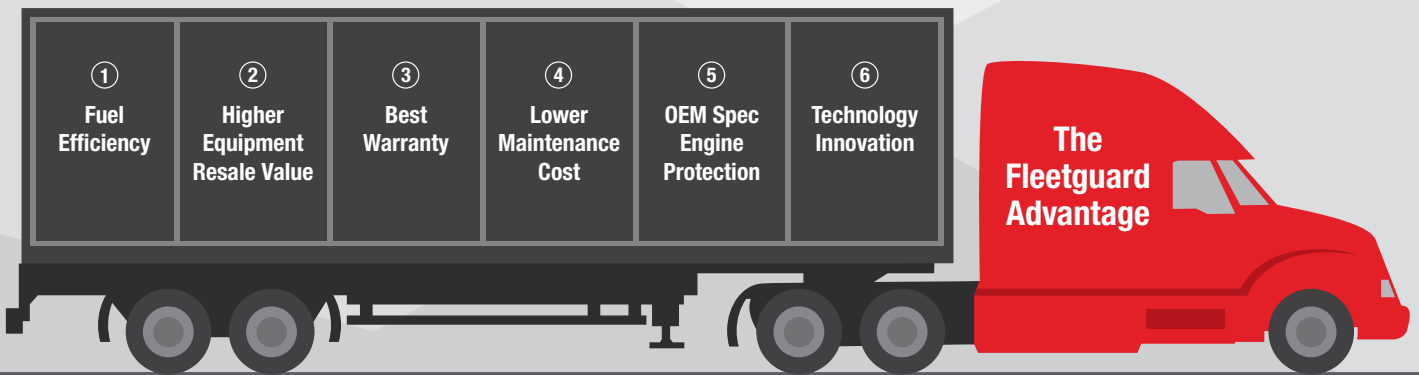
LABOR Up to **\$1,000**

PARTS Up to **\$600**

\*Estimates based on industry averages for labor and replacement parts.

## Don't Settle for Less

There's a reason some filters and coolants are less expensive than others — they're lower quality. But this lower quality puts your engine parts at risk. Fleetguard product solutions offer the best return on your investment by protecting your engine over its life.

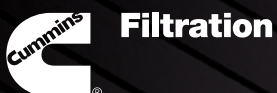


### Built by the Best Name

As the only filter brand owned and manufactured by an engine company, Fleetguard filters and coolants are designed to meet stringent engine requirements for a wide variety of applications.

### Backed by the Best Warranty

Unlike our competitors who offer pro-rated coverage, our full warranty protection extends from the point of purchase throughout the recommended service life of each product. **Nothing Guards Like Fleetguard!**



For more information, visit [CumminsFiltration.com](http://CumminsFiltration.com)  
LT36645 ©2018 Cummins Filtration Inc.

